



► Introduction

Construction Chutes

Qingdao Chute Equipment Co., Ltd. was established in 2013, specialized in the producing and exporting of various kinds of Trash Chute, Garbage Chute, Linen Chute, Rubbish Chute, Laundry Chute, Bin Compactor, and Compactor etc.

With an excellent technical engineer, experienced workers, professional customer service, we are always in the position to supply our overseas customers with high quality, steady quantity, and delivery on time and the competitive prices.

The company aims to be the industry leader in the chute industry. We have passed CE, ISO9001 Certification. Now we have owned about twenty relevant national patent.

We have served several hundreds of companies and projects, and can provide advanced, reliable, safe, high quality engineering solutions and customized solutions, and related supporting product development and service for customer.

Our products mainly include the followings:

- * Garbage chute and Trash chute;
- * Linen chute and Laundry chute;
- * Construction chute and Debris chute;
- * Telescope chute
- * Wheelie bin compactor, Carousel bin compactor, Linear bin compactor
- * Diverter and Sorter
- * Accessories



This catalogue is designed to be helpful to engineers and contractors in the application and selection of chutes products for construction and maintenance.

If a unique application requires a special product not included in this catalogue, We are ready to furnish design consultation and realistic cost estimates.

► Chute Specifications

Material Specification & Choice

QDCHUTE provides the following material:

- HDPE (High Density Polyethylene)
- FRP (Fiberglass)

Usually, the normal material is HDPE. And it is more impact resistant, wear resistant and lower cost.

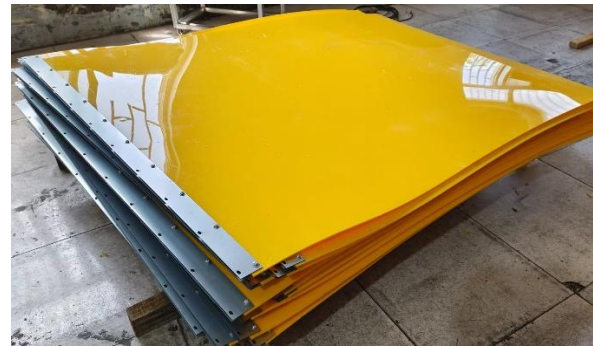
FRP chutes are stronger than HDPE chute, but it is a little expensive.

Style

- Injection Molded Chute
- Wrapped Chute



Injection Molded Chute



Wrapped Chute



Chute With Steel Liner

SPEC

Each style chute listed its SPEC as below:

<i>Spec.</i>	<i>Injection Molded Chute</i>	<i>Wrapped Chute</i>	<i>Chute With Steel Liner</i>
Material	HDPE	HDPE	HDPE+Steel 1.5mm
Wall thickness	5mm	5-10mm (Can be customized)	Plastic wall Thickness =5-10mm Steel Sheet Wall Thickness=1.5mm
Top Diameter	580mm	500-1000mm (Can be customized)	500-1000mm (Can be customized)
Bottom Diameter	430mm	400-900mm (Can be customized)	400-900mm (Can be customized)
Length	1270mm	1200mm (Can be customized)	1200mm (Can be customized)
Weight (only plastic)	10kgs		
Mold Charge	Yes	No	No
Impact-resistant	Middle	Middle	High
Price	cheap	A little high	High

Chute Sizes

In addition to mold shaping chute, we can also customize different diameters and different materials according to your requirements:

Our chutes are available with the following standard internal diameters:

- Diameter: From 500mm to 1200mm
- Material: HDPE and FRP
- Thickness: From 5mm to 10mm

Shape

To give an unimpeded free flow of debris within a chute and a more impact-resistant and a more wear-resistant, the best shape has proved to be circular, therefore have a circular cross section. We will make square section chutes per special requirements.

► Chute Components

Regular Chute

The entire inner surface area is smooth and free from any projections that will impede the free flow of refuse within the total vertical length of the chute.

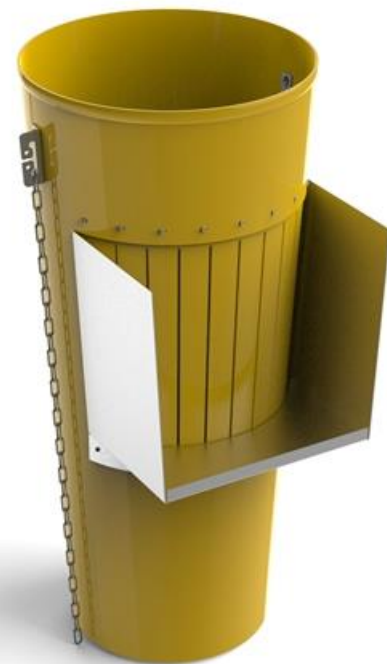
It contains two chute connectors and two chains.



Hopper Chute

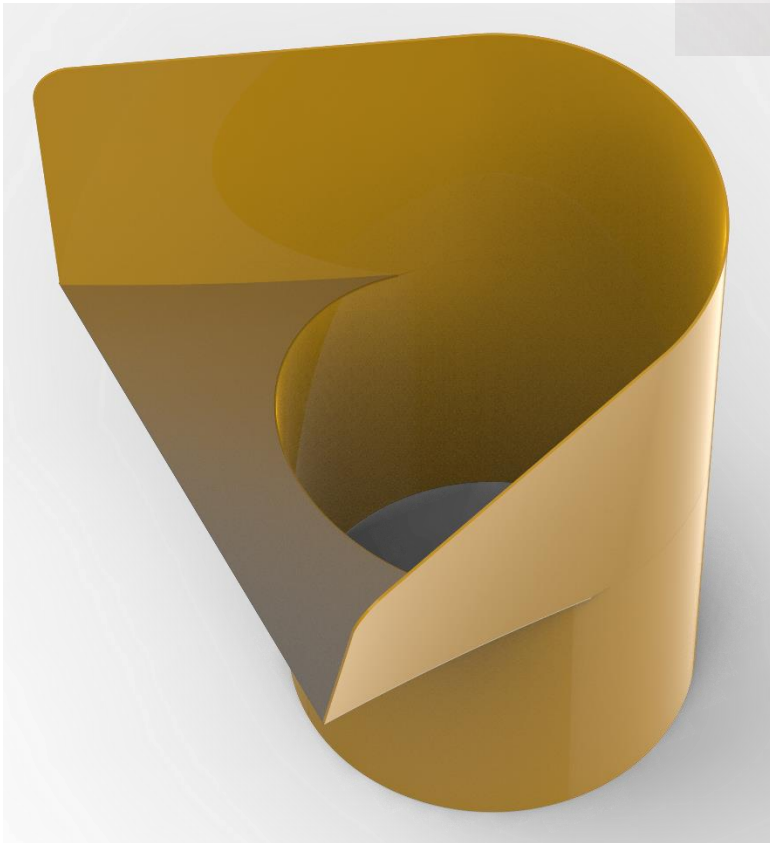
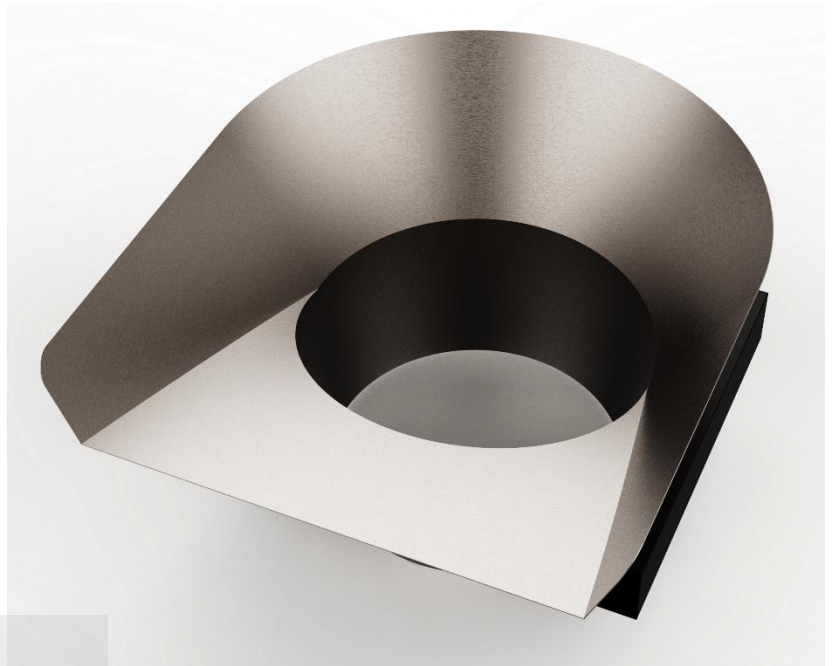
QDCHUTE hopper chute sections have our specially designed Inner baffle, to prevent air or falling refuse already present in the chute from accidentally blowing back.

It contains two chute connectors, two chains, one throat and one deflection curtain.



Top Hopper Chute

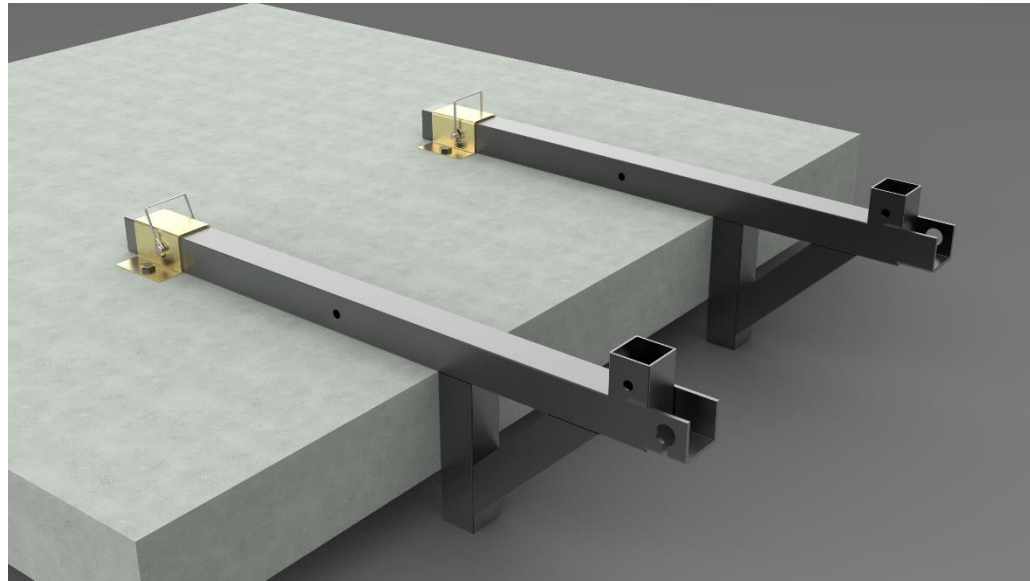
The top hopper chute is located at the top of the chute, and it has a wide mouth that can hold more debris, and even allows the pushcart to drop debris directly. There are two kinds of material, Plastic and Steel.



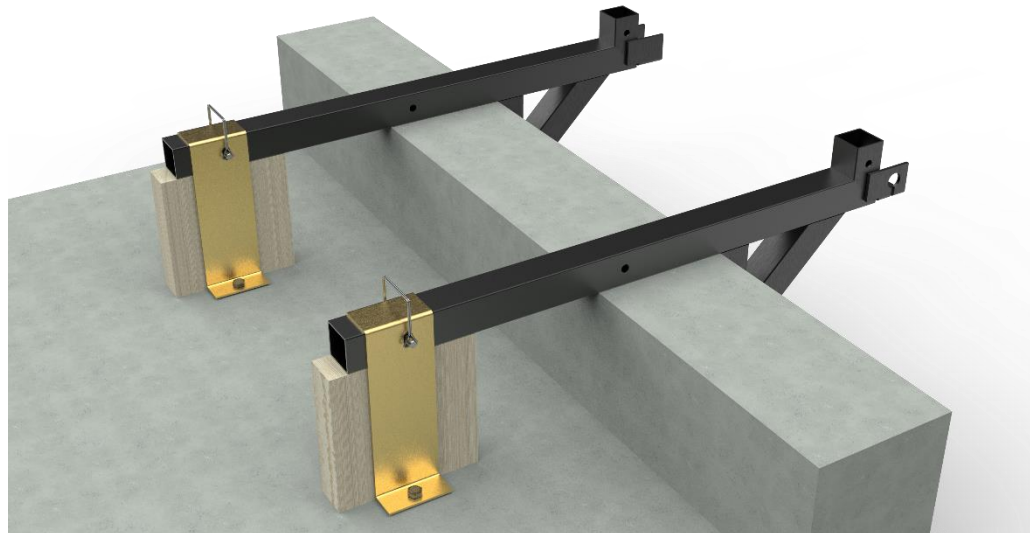
Supporting Bracket

Different building structure means different bracket, and it is easy to install, but stronger.

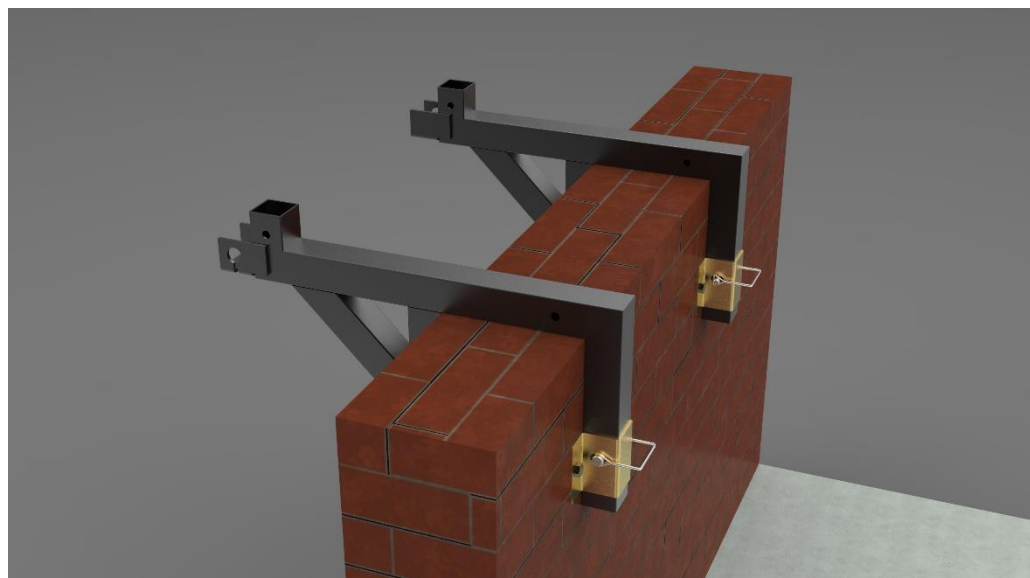
1) Flat Floor Bracket



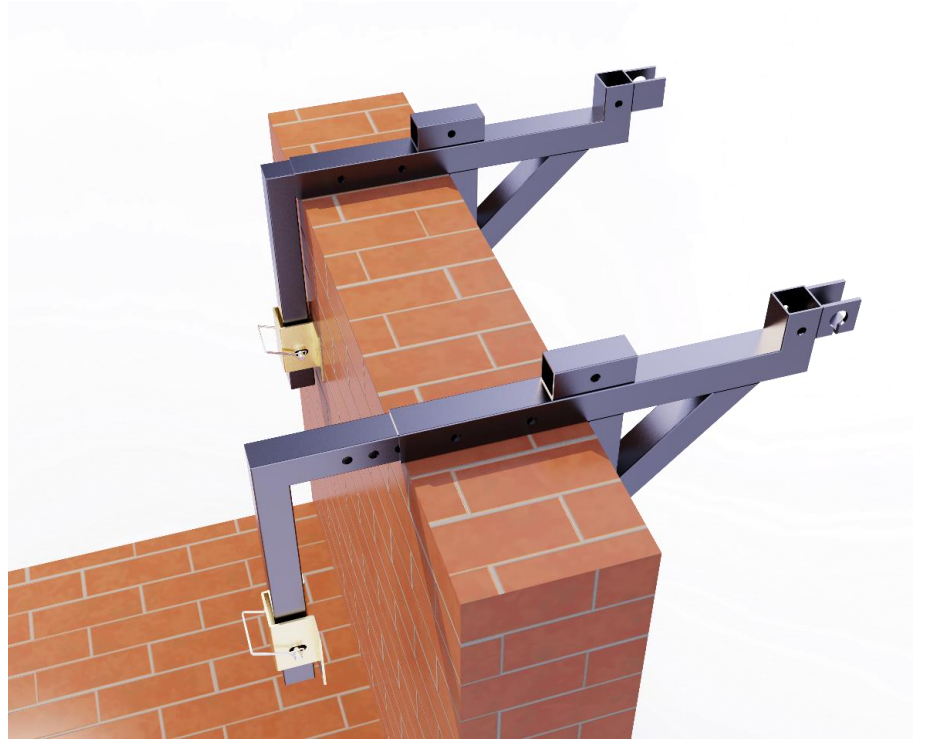
2) Parapet Bracket



3) Window Bracket



4) Adjustable Window Bracket



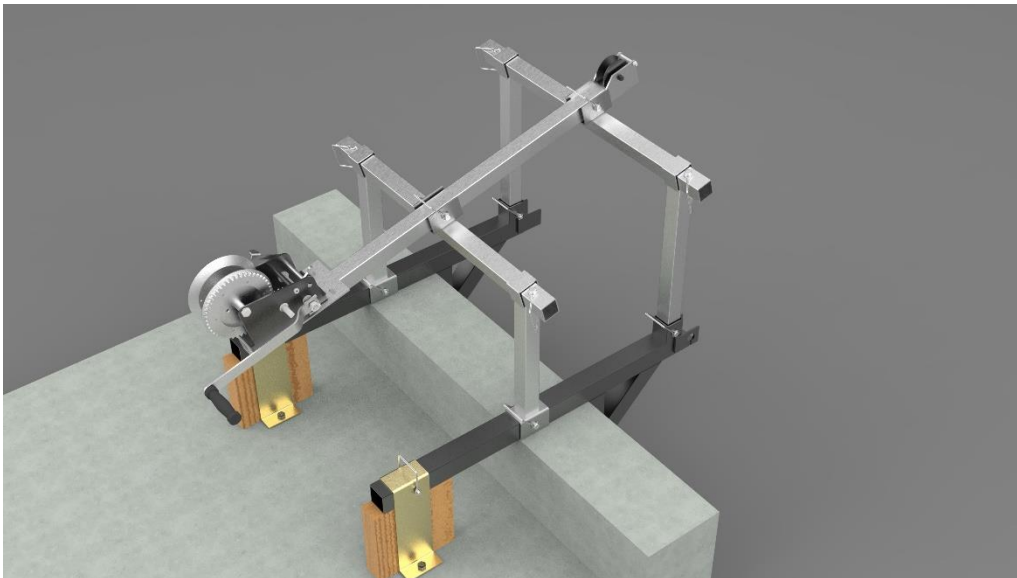
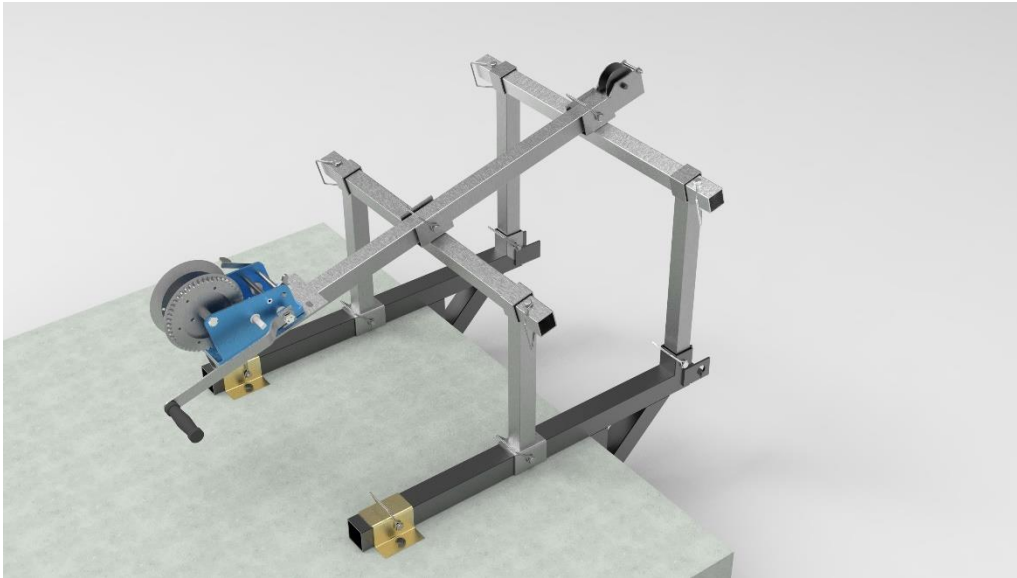
5) Scaffolding Bracket



Pulling Hoist System

This small tool can help you install the chute system easily. And easy to install and dismantled.

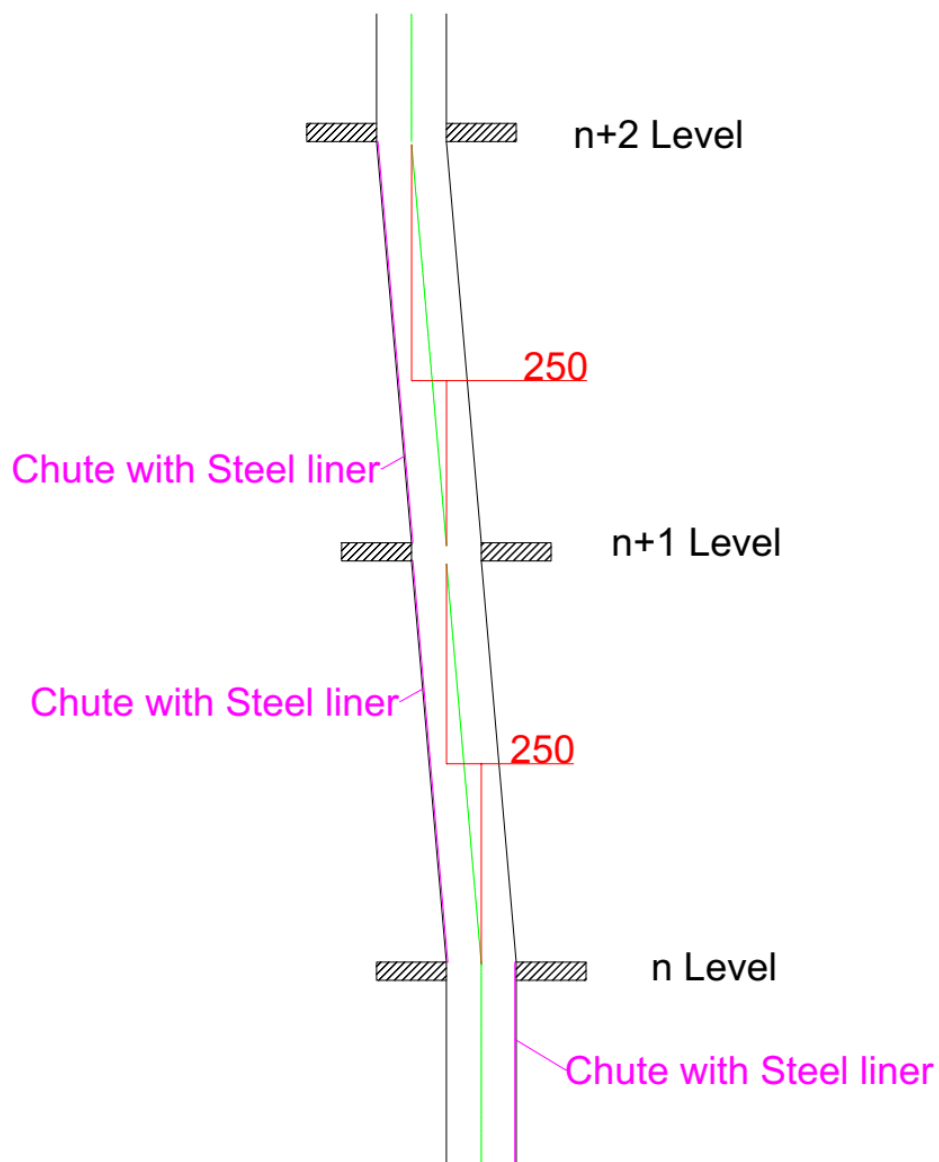
Works can learn how to install the chute in five minutes.



Steel Liner

Steel liner can be installed inside the chute, which can make chute section more impact-resistant and more wear-resistant. Usually, it is located in the bend section of the chute system.

We suggest the dismantling work choose this style chute.



▶ Contact

Qingdao Chute Equipment Co., Ltd

Tel:+86-13356856582(WhatsApp, WeChat)

Email:sales@qdchute.com

qdchute@hotmail.com

Website: www.qdchute.com